



**SZENT ISTVÁN
EGYETEM**



YBL MIKLÓS ÉPÍTÉSTUDOMÁNYI KAR, BUDAPEST

LESSON;

Mathematics and Geometry in Architecture

PROJECT ;

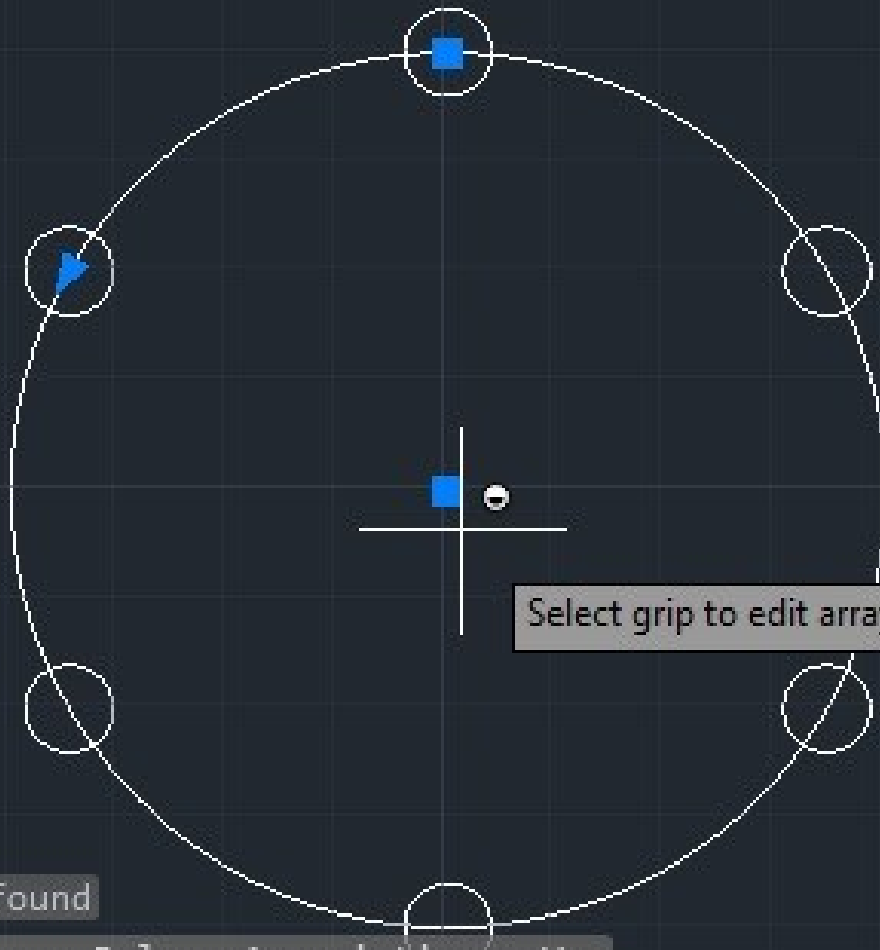
project work

TEACHER ;

Mr. Gyula Nagy

STUDENT ;


Görkem ALACA

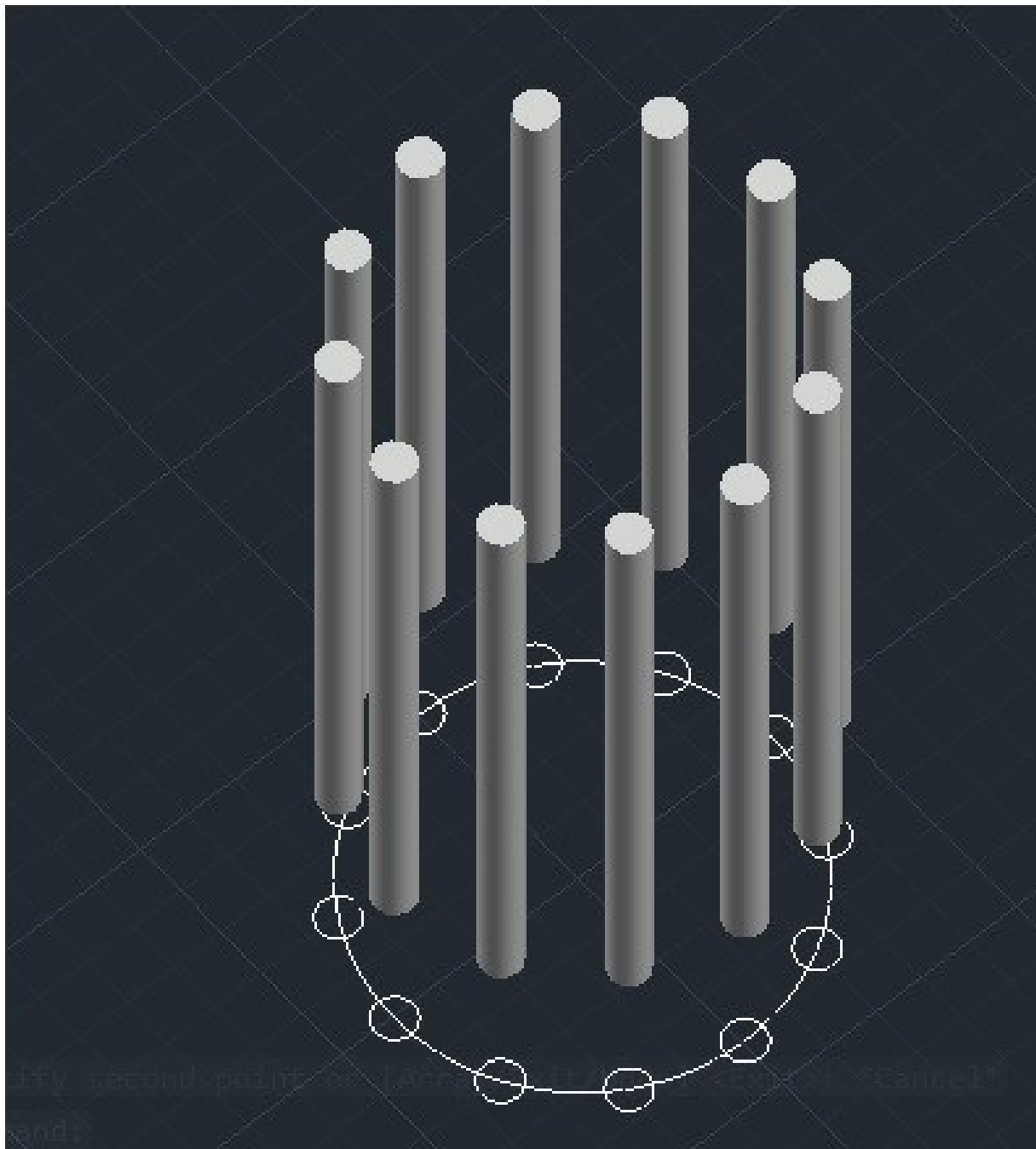


1 found

Type = Polar Associative = Yes

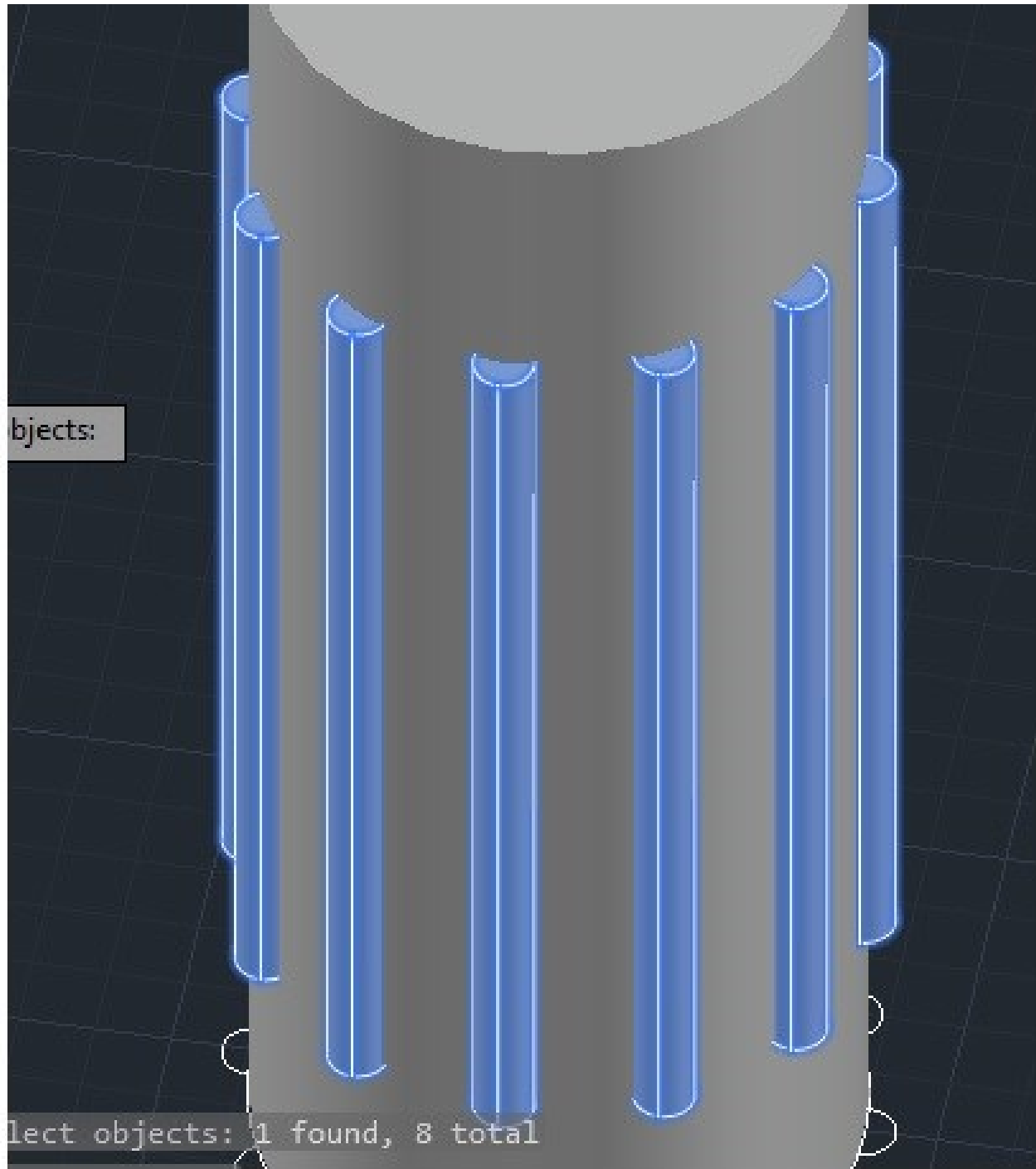
Specify center point of array or [Base point/Axis of rotation]:

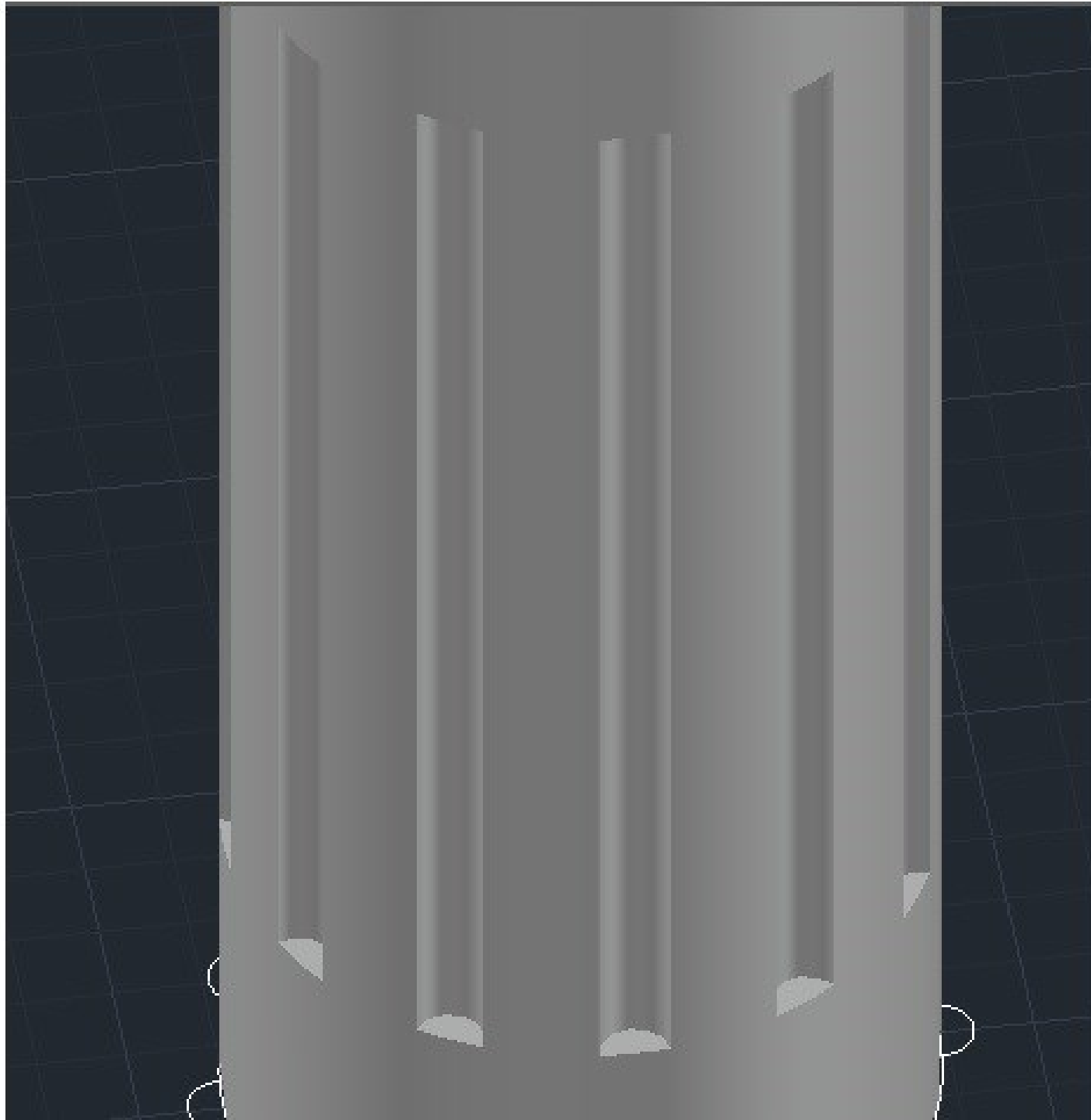
 ARRAYPOLAR Select grip to edit array or [ASsociative Base point Items Levels ROTate items eXit]<eXit>:

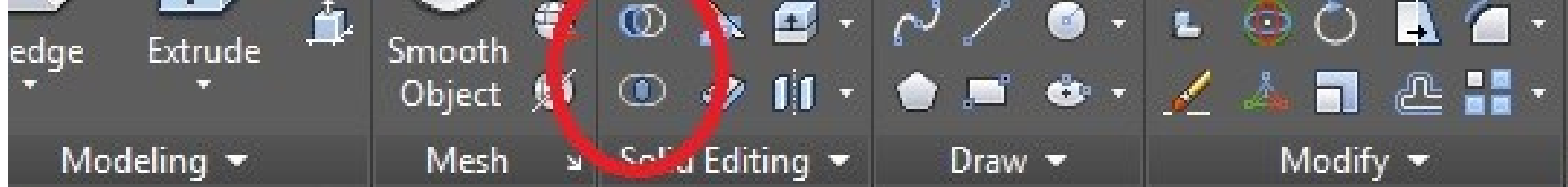


bjects:

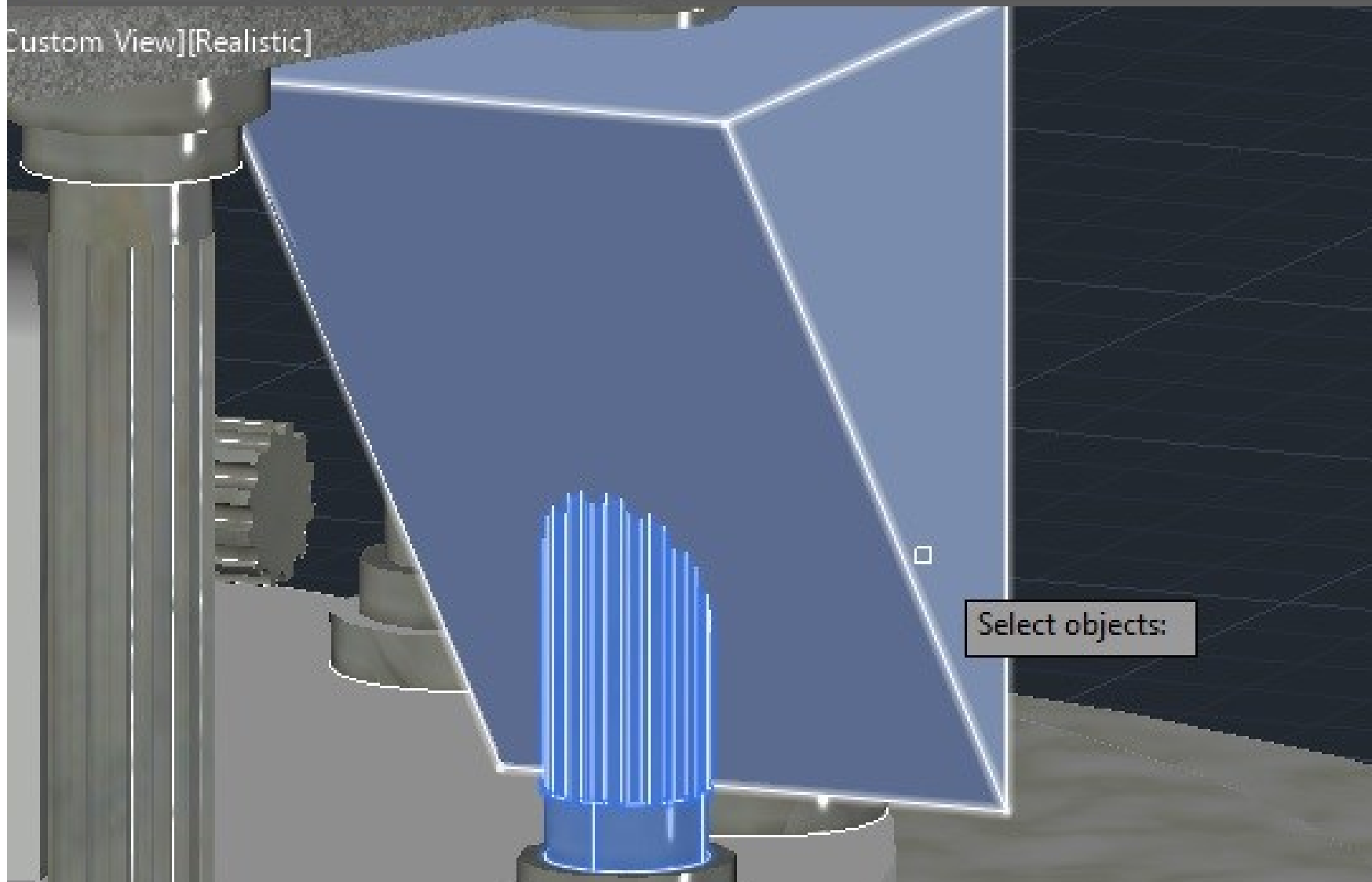
lect objects: 1 found, 8 total

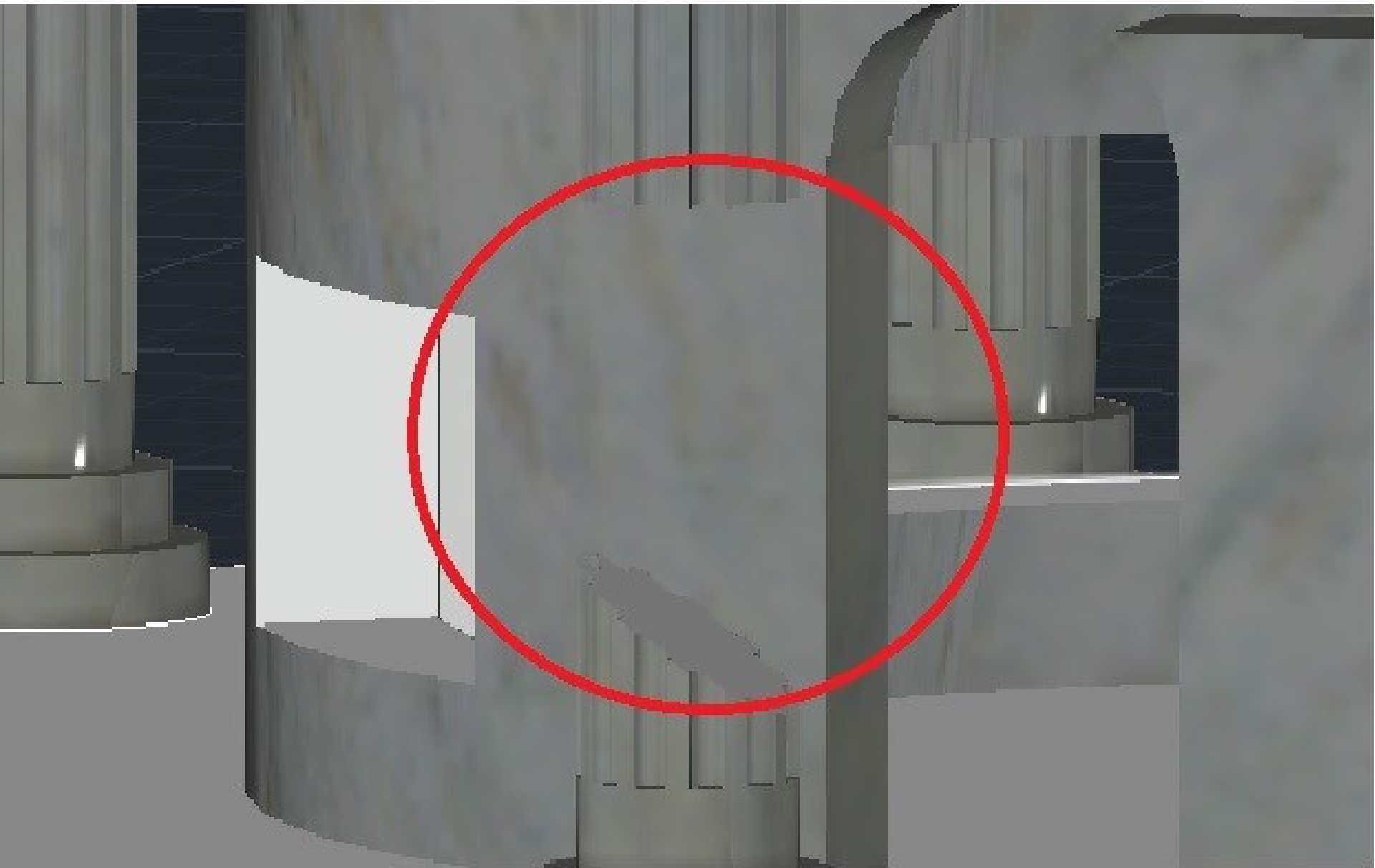


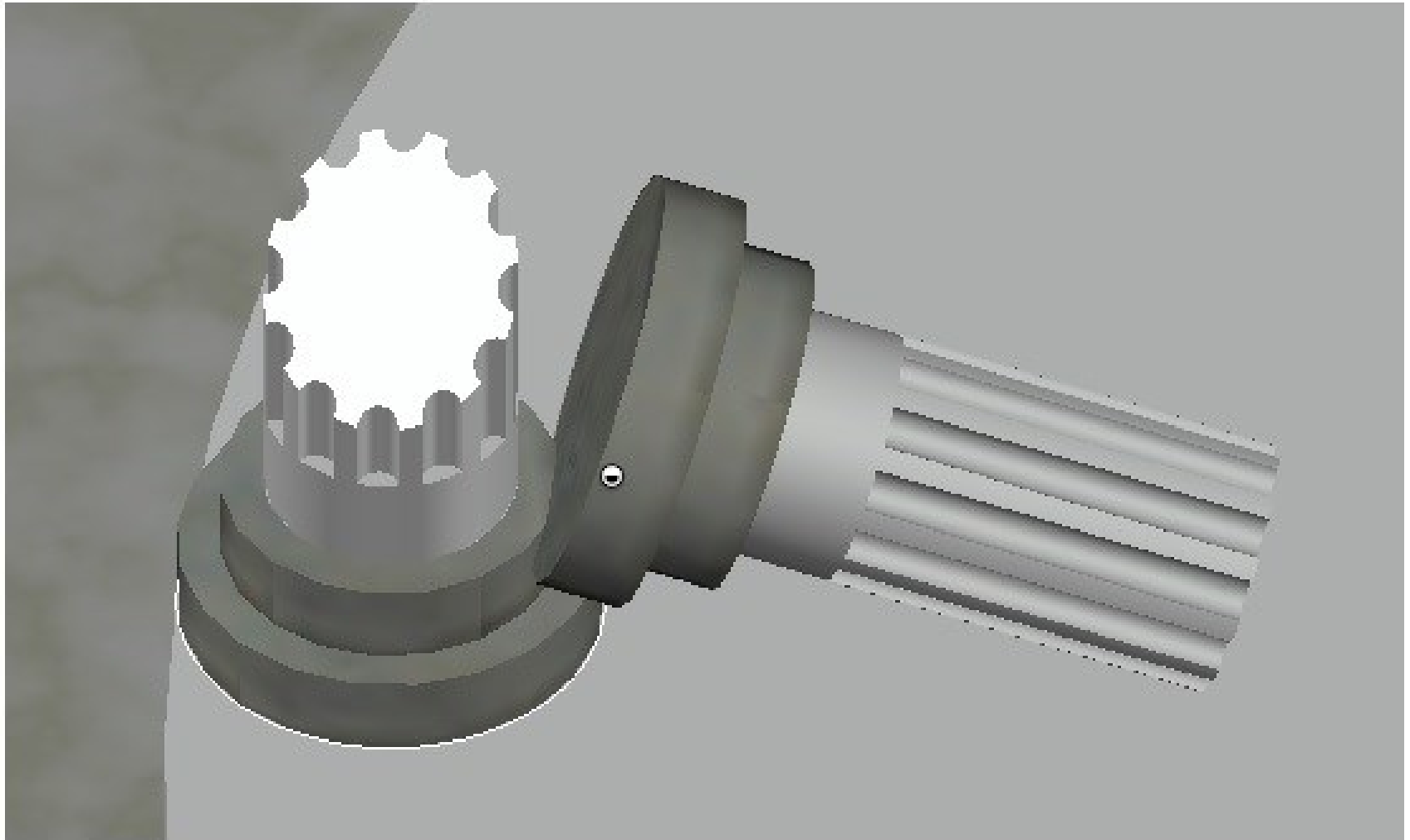


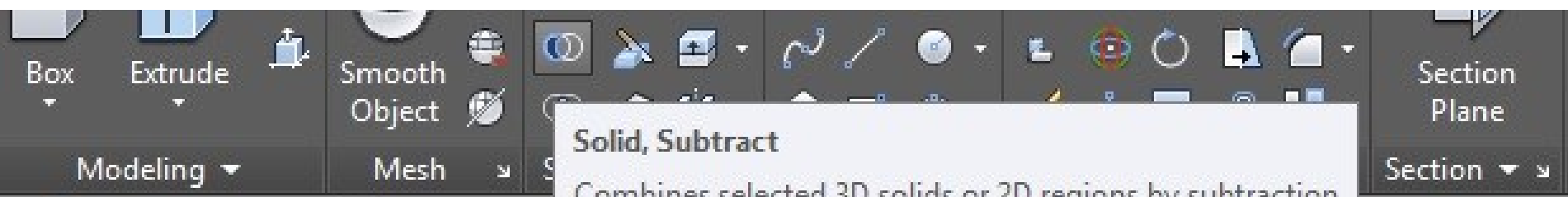


Start matematik 3 d* +






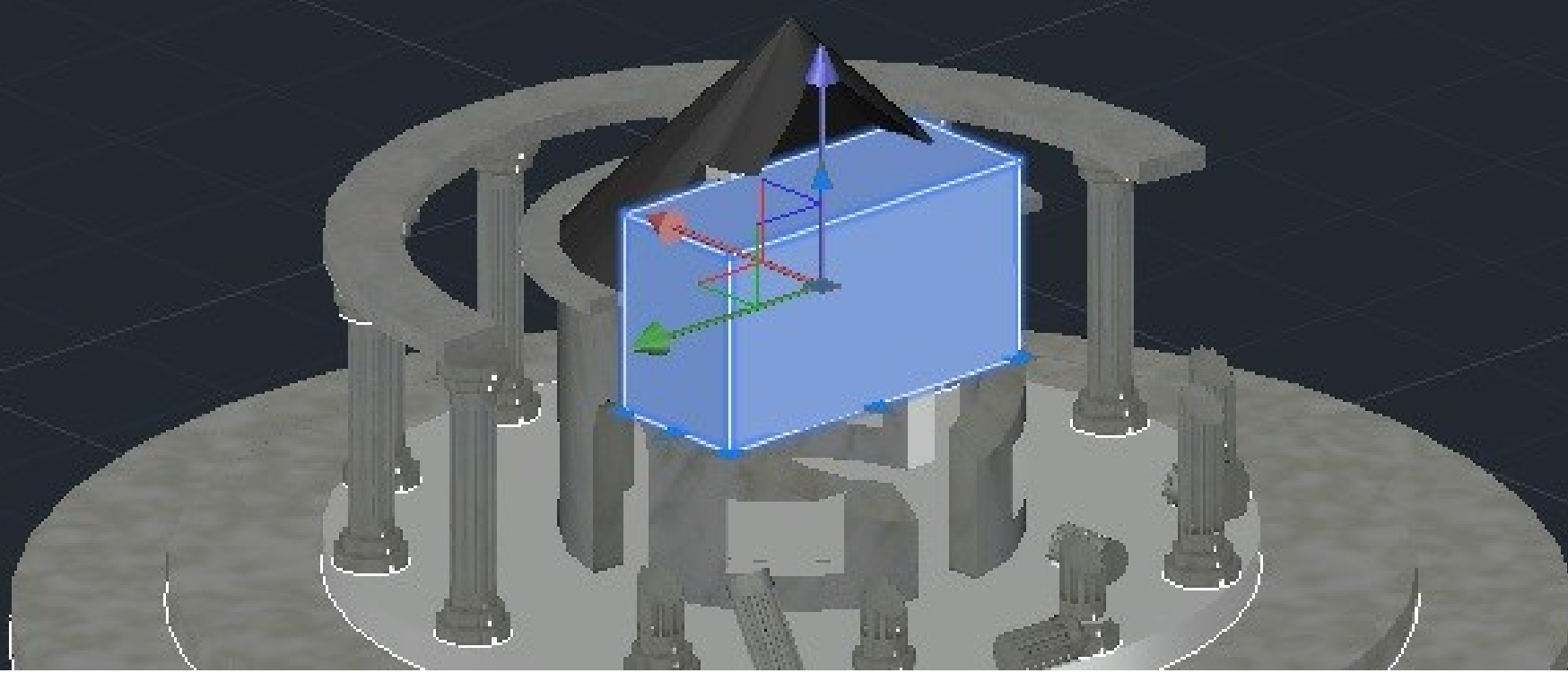




Solid, Subtract
Combines selected 3D solids or 2D regions by subtraction

 **SUBTRACT**
Press F1 for more help

Start matematik 3
[-][Custom View][Realistic]



Output Add-ins A360 Express Tools Featured Apps BIM 360 Performance

Create Light No Shadows Sun Status Sky Off

Lights Sun & Location Materials

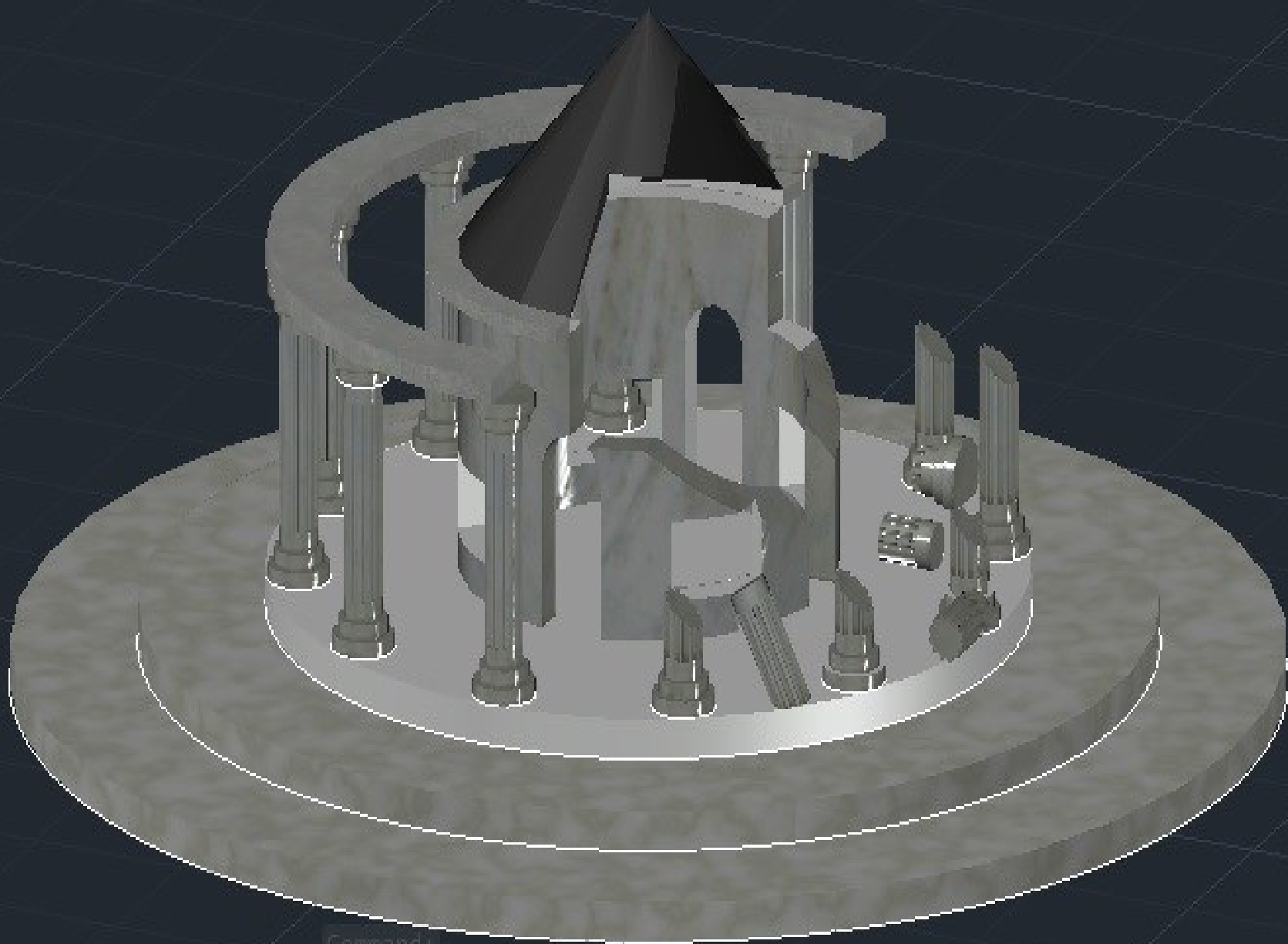
Medium Render in Win... Render in Cloud

Materials Browser
 Opens and closes Materials Browser

MATBROWSEROPEN
 Press F1 for more help

Document Materials: All

| | Nam | Type | Category |
|--|-----------|---------|-----------------|
| | 1i...ay | Cera... | Ceramic: Tile |
| | An...ay | Metal | Metal: Aluminum |
| | Co...er | Stone | Stone |
| | Global | Generic | Miscellaneous |
| | Gr...ed | Generic | Stone |
| | Stone | Stone | Default |
| | St...ue | Generic | Stone |
| | Ter...ite | Generic | Flooring: Stone |



Command :